



VirtuaLine™ MINI Line Projector Datasheet

Overview:

Laserglow's VirtuaLine™ series of line projecting LED light fixtures are an innovative and cost-effective way to demarcate walkways and laneways without using paint or tape. VirtuaLine™ MINI Line Projector fixtures create an indestructible floor line that eliminates the need for maintenance required by floor tape and paint lines, changing the way you handle floor marking in your facility.

Key Features:

- Modular – Easily reconfigure spaces within your facility without stripping paint or tape
- Highly Durable - No wear and tear from foot traffic
- Cost Effective - Eliminates the need for repainting or retaping
- Ultra Visible - Overcomes complacency by attracting more attention because of a dynamic projection
- Smart Triggered - Optional capability to trigger signage using motion sensors, beam break sensors or push button
- Adjustable Focus - Control the thickness of the line projections

Specifications:

Lamp Details

Type of Light Source:	High Performance LED
Rated Power:	80 W
Light Source Life (MTTF):	30,000 hours at 25°C/77°F

Optical

Light Colour:	Amber, Red, Green, Blue (6000K)
Projection Distance:	Up to 35 ft (10 m)

Photometric data:



For details regarding Photometric Data, Projection dimensions, and Visibility Information, please use our [Interactive Equipment Estimator](#) at our website, safety.laserglow.com

Temperature Range (°C):	-20 to 50 °C (-4 to 120 °F)
Relative humidity:	5% to 80% noncondensing
Projector Power:	80W
Power Supply:	100-240 VAC nominal, 50/60 Hz, 0.67A, 80W
IP Rating:	IP65

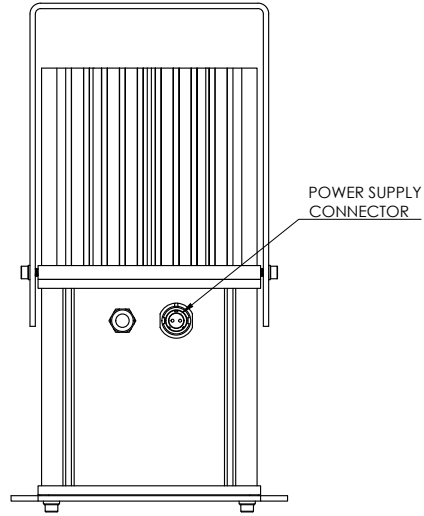
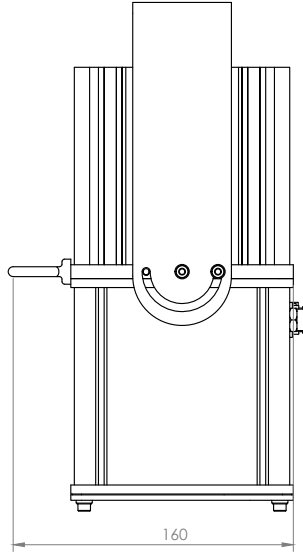
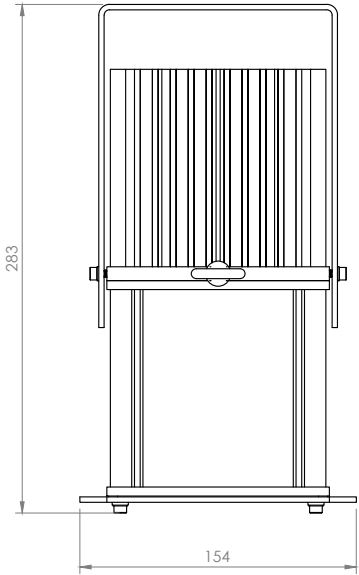
Standard Warranty: 12 months

Smart Triggered Projection: Projection flashing using smart controller and sensors

Accessories included: Mounting bracket and power supply

VirtuaLine™ MINI Line Projector

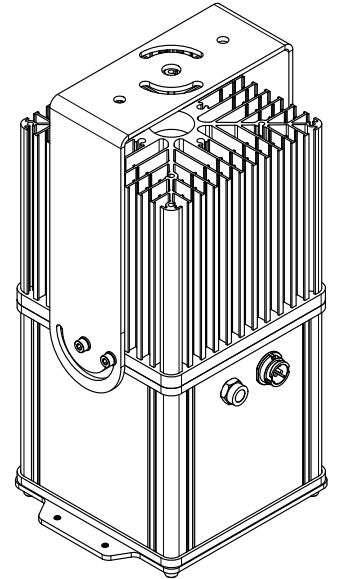
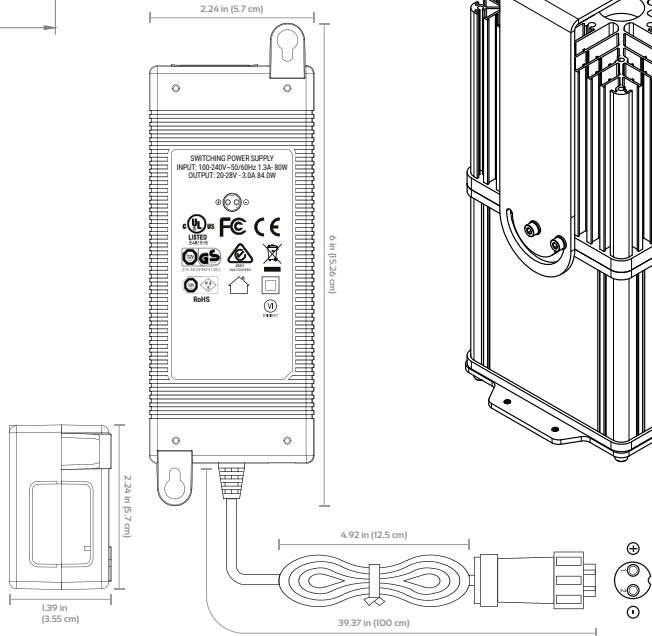
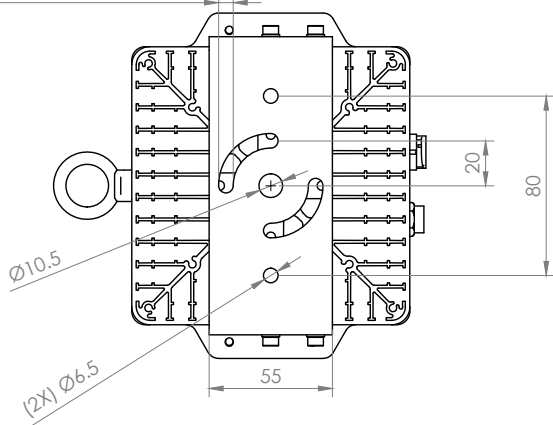
Projector and Power Supply Dimensions:



Box Dimensions
8" x 8" x 13"
(20.3cm x 20.3cm x 33cm)

Weight
10.5 lb
(4.8 Kg)



(2X) 6.5 90° SLOT



Accessories:

The most popular accessories for this model are shown here.

For additional details regarding these or other accessories please see our website or contact us directly.

Product SKU	Description
Lenses	
 ABM088CXM	• No Drill Magnetic Mounts
 AVLLMKXX	• Line Length Limiting Panels



LASERGLOW TECHNOLOGIES

99 Ingram Dr. Unit B, North York, ON, Canada M6M2L7
Tel. (416) 729-7976 Fax (480) 247-4864
sales@laserglow.com
www.laserglow.com

E&OE: Data included in this sheet may be subject to change without notice. Please confirm critical specifications with our staff prior to ordering.