



SafetyCast™ 80 Virtual Sign Projector Datasheet

Overview:

The SafetyCast™ 80 Virtual Sign Projectors are the ideal way to display bright floor and wall safety signs in locations where there is high traffic, potential for a hazard, or uneven floors. The SafetyCast™ 80 Virtual Sign Projector uses an image lens and a high-output LED bulb to project a clear sign at distances of up to 50 m (165'), works well in almost all lighting conditions and is easy to mount and adjust. Once installed, there's virtually no maintenance, and you won't need to worry about replacing damaged signs on your floors or walls

Key Features:

- Customizable – A large variety of safety signages and custom signs.
- Cost Effective - Minimal maintenance eliminates the need for repainting or retaping
- Ultra Visible - Powerful close-range and long-range projection, high-contrast image projection
- Smart Triggered - Optional capability to trigger signage using motion sensors, beam break sensors or push button
- Adjustable Focus

Specifications:

Lamp Details

Type of Light Source:	High Performance LED
Rated Power:	80 W
Light Source Life (MTTF):	30,000 hours at 25°C/77°F

Optical

Light Colour Temperature:	6,000 K
Luminous Flux:	12,000 lm
Projection Distance:	Up to 25 ft (8 m)

Photometric data:



For details regarding Photometric Data, Projection dimensions, and Visibility Information, please use our [Interactive Equipment Estimator](#) at our website, safety.laserglow.com

Temperature Range (°C):	-20 to 50°C (-4 to 122 °F)
Relative humidity:	5% to 80% noncondensing
Projector Power:	80W
Power Supply:	100-240 VAC nominal, 50/60 Hz, 0.67A, 80W
IP Rating:	IP65

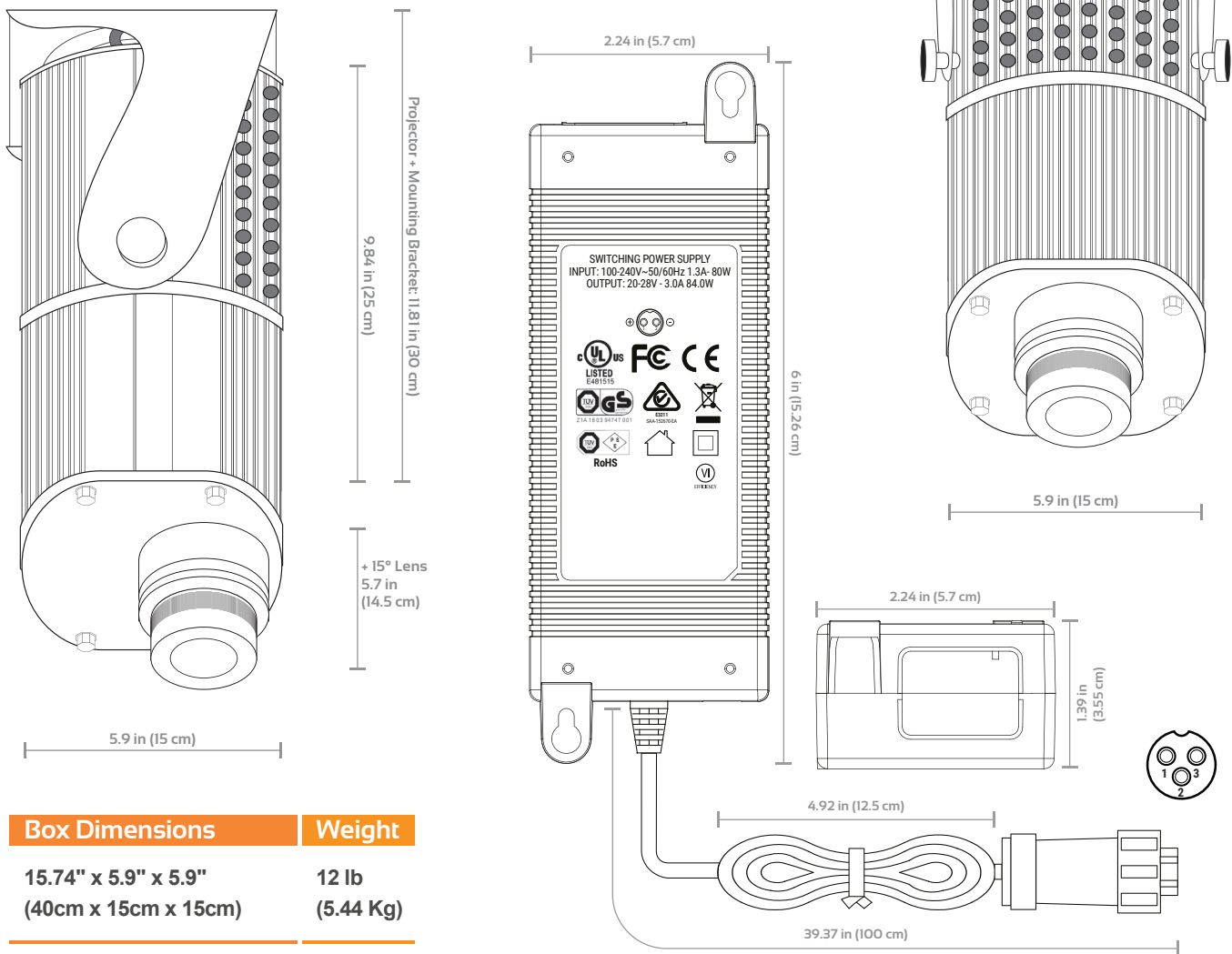
Standard Warranty:	12 months
---------------------------	-----------

Smart Triggered Projection:	Projection flashing using either Motion Sensors or Break of Beam sensors
------------------------------------	--

Accessories included:	Mounting Bracket, Power supply
------------------------------	--------------------------------

SafetyCast™ 80 Virtual Sign Projector

Projector and Power Supply Dimensions:



Box Dimensions

15.74" x 5.9" x 5.9"
(40cm x 15cm x 15cm)




Weight



12 lb
(5.44 Kg)

Accessories:

The most popular accessories for this model are shown here.

For additional details regarding these or other accessories please see our website or contact us directly.

Product SKU	Description
 ABM088CXX	• No Drill Magnetic Mounts
 AOO08015T	• Focusing Lens (F = Narrow Angle) 80 W
 AOO08025T	• Focusing Lens (H = Medium Angle) 80 W

Product SKU	Description
 AOG__XXX	• Image Template
 AOGCUS8XX	• Custom Image Template

To check the Sign Template list and their availability, visit safety.laserglow.com



LASERGLOW TECHNOLOGIES
 99 Ingram Dr. Unit B, North York, ON, Canada M6M2L7
 Tel. (416) 729-7976 Fax (480) 247-4864
sales@laserglow.com
www.laserglow.com

E&OE: Data included in this sheet may be subject to change without notice. Please confirm critical specifications with our staff prior to ordering.