

Forklift Arc Light Projector Datasheet

Similar Products:

For information about this product family visit:
<http://www.laserglow.com/>

Ordering:

Order Online Now or Request Quote:
<https://www.laserglow.com/>



Overview

SafetyCast™ Hazard Illumination Forklift Arc Light provides visual warning to pedestrians and vehicles in accident prone areas, or areas where pedestrians share floor space with mobile industrial handling equipment, such as warehouses, dock and loading areas or any industrial workplace pedestrians. This solution is extremely effective in noisy areas where audible alarms can be drowned out, or where multiple alarms may confuse the pedestrian. The product is weatherproof, thus ideal for indoor and outdoor use.

Key Features

- Easy to install on any forklift in minutes
- Adjustable mounting bracket allows for easy positioning of the beam on the floor
- High visibility illuminated projections provide the pedestrian with clear knowledge of their proximity to moving equipment
- Weatherproof and ideal for indoor/outdoor use
- Run off 10-80VDC
- Long operating life of 30,000+ hrs

Specifications

Lamp Details

Type of Light Source:	High Performance LED
Rated Power:	10W
Light Source Life (MTTF):	30,000 hours at 25°C/77°F

Optical

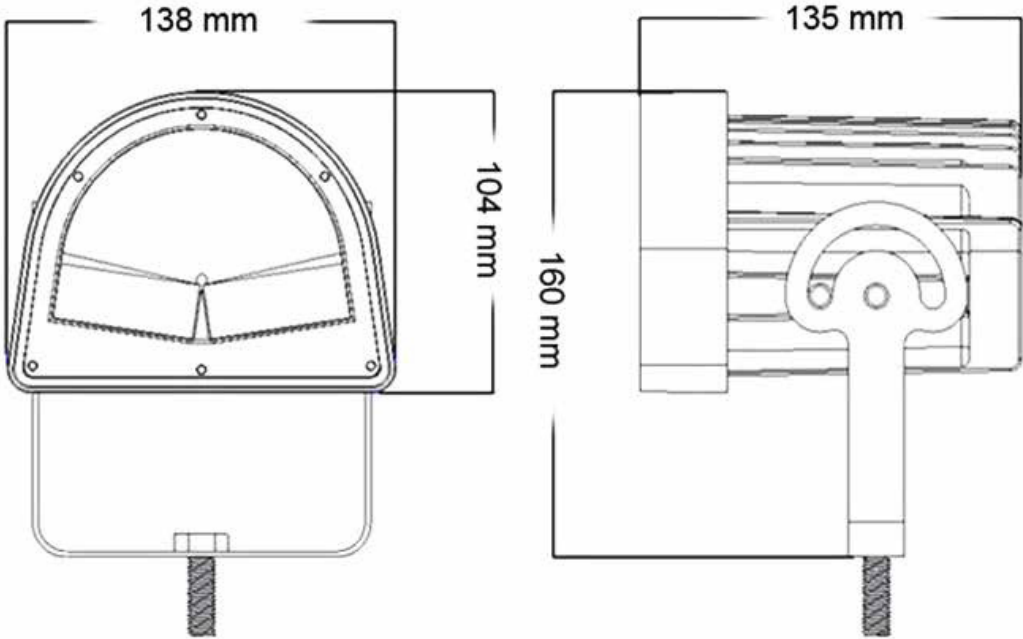
Light Colour:	Red, Blue
Projection Type:	Arch Beam

Temperature Range (°C):	-20 to 50 °C (-4 to 120 °F)
Operating Voltage:	10-80V DC
IP Rating:	IP67
Material:	Aluminium die-cast housing, PC cover, stainless steel bracket

Standard Warranty:	12 Months
---------------------------	-----------

Forklift Arc Light Projector

Dimensions (mm)



LASERGLow TECHNOLOGIES
99 Ingram Dr. Unit B, North York, ON, Canada M6M2L7
Tel. (416) 729-7976 Fax (480) 247-4864
sales@laserglow.com
www.laserglow.com

E&OE: Data included in this sheet may be subject to change without notice. Please confirm critical specifications with our staff prior to ordering.