

HANDHELD LASERS**TAURUS**

GTA005XXX

**635nm**

Nominal Wavelength

CW

Output Type

DIODE

Laser Source Type

The Taurus is the latest in functionality, reliability, portability and output power stability. The click-on, click-off switch allows hands-free operation and easy use when continuous operation is required. The miniature heat sink means that the output will not drop during long operating periods, and the single lithium battery will keep the unit running for up to 36 hours! The Taurus is ideal for alignment and a wide range of other continuous use applications.

With a 635 nm wavelength the Taurus is approximately 2 times brighter than other less expensive red pointers - which normally use a 650 nm or 660 nm diode, making the Taurus the brightest Class IIIa red laser pointer available.

As with all Laserglow products the Taurus employs the highest level of quality and craftsmanship to make this simply the best Class IIIa red laser pointer on the market.

KEY FEATURES

Battery: 1 x CR123A (Over 36 hours use with a new battery!)

Output Power: 3.5 mW to 4.99 mW

Casing: Hard Anodized black machined aluminum

Wavelength: 635 nm

Key Feature: 100% continuous operation, click-on/click-off

Package Includes: Portable laser, battery, carrying case, instructions/warranty.

Safety Info: Complies with Class IIIa regulations.

Duty Cycle: 100%

SPECIFICATIONS

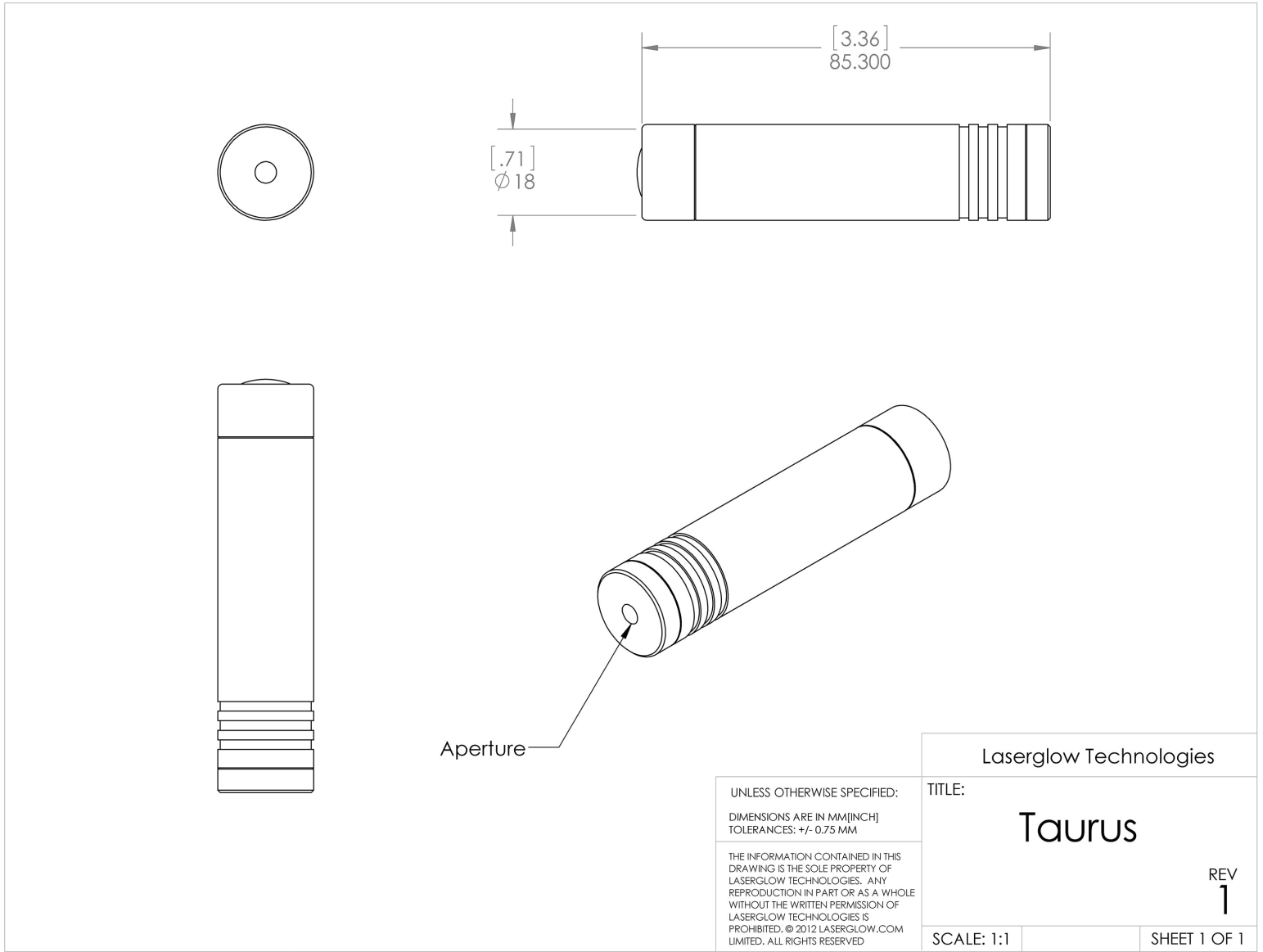
Laser Form Factor	GTA
Output Power (mW)	<5
FDA Safety Class	IIIa
Central Wavelength (nm)	635
Divergence (mrad, full angle)	<1.5
Beam Dimensions (mm, 1/e ²)	1.5x3.5
Transverse Mode	Near TEM00
Longitudinal Modes	Multiple
Operating Temperature Range (°C)	15 to 35
Storage Temperature Range (°C)	-10 to 50
Total Power Consumption (W)	1
Max. Power Input Duty Cycle	100%
Cooling Method	Passive Air
Standard Warranty (months)	6
MTTF (operational hours)	5000
Weight of Product or Laser Head (kg)	0.04
Dimensions of Product or Laser Head (mm)	85 (l) x 20 (d)
Power Supply	1 x CR123A Battery

CW: All specifications are based on performance at full output power and after the specified warmup period. Output characteristics may change if the laser is run at a different power level.
 Q-Switched: Specifications are based on the laser pulsing at the specified design frequency. Output characteristics may change if the laser is run at a different frequency.

REGULATORY CLASSIFICATION

The model you have selected (GTA005XXX) requires the following safety label(s):



DIMENSIONAL DRAWING - LASER FORM FACTOR: GTA

FOR MORE INFORMATION PLEASE CONTACT

LASERGLLOW TECHNOLOGIES
 99 Ingram Dr. Unit B, North York, ON, Canada M6M2L7
 Tel. (416) 729-7976 Fax (716) 322-3510
 sales@laserglow.com www.laserglow.com

E&OE: Data included in this sheet may be subject to change without notice.
 Please confirm critical specifications with our staff prior to ordering.