



LYRA

GLY005BXX

SPECIFICATION SHEET



532nm Nominal Wavelength	CW Output Type	DPSS Laser Source Type
------------------------------------	--------------------------	----------------------------------

Overview

The Lyra series green laser pointers are a perfect choice for business meetings, classroom presentations and safe home laser experimentation. Five to ten times more visible than common red laser pointers, the Lyra series are ideal for maximizing visibility, even on bright projection screens, while not compromising safety. Available in three carefully selected finishes to match any style. With the look of a high-end fountain pen and the function of a quality timepiece, the Lyra is great to own and even better to give as a gift! All of Laserglow's green laser pointers are IR-filtered for safety and employ APC technology to maintain constant output power. APC (Automatic Power Control) is a system that uses an optical feedback loop to ensure stable laser output.

Key Features

- Output Power: 1 mW - 5 mW (model dependent)
- Wavelength: 532 nm (green)
- High-Quality Build, All AR-coated optics, most models available in 3 finishes
- Casing: Solid Brass with pocket clip
- Package Includes: Portable laser, batteries, instructions/warranty.
- Safety Info: Complies with Class IIIa regulations, contains high-quality IR filter
- Duty Cycle: 90 sec. on/20 sec. off

Specifications

Laser Form Factor	GLY
Output Power (mW):	<5
FDA Safety Class:	IIIa
Central Wavelength (nm):	531.65
Divergence (mrad, full angle):	<1.2
Beam Dimensions (mm, 1/e ²):	1.5
Transverse Mode:	TEM00
Longitudinal Modes:	Multiple
Operating Temperature Range (°C):	15 to 35
Storage Temperature Range (°C):	-10 to 50
Total Power Consumption (W):	2
Max. Power Input Duty Cycle:	90 sec. on/20 sec. off
Cooling Method:	Passive Air
Standard Warranty (months):	6
MTTF (operational hours):	5000

Laserglow Technologies

United States: 6590 Sims Dr, Sterling Heights, MI 48313 | (313) 889-6777

Canada: 99 Ingram Dr Unit B, North York, ON M6M 2L7 | (416) 729-7976

Weight of Product or Laser Head (kg):	0.04
Dimensions of Product or Laser Head (mm):	136 (l) x 13 (d)
Power Supply:	2 x AAA Batteries

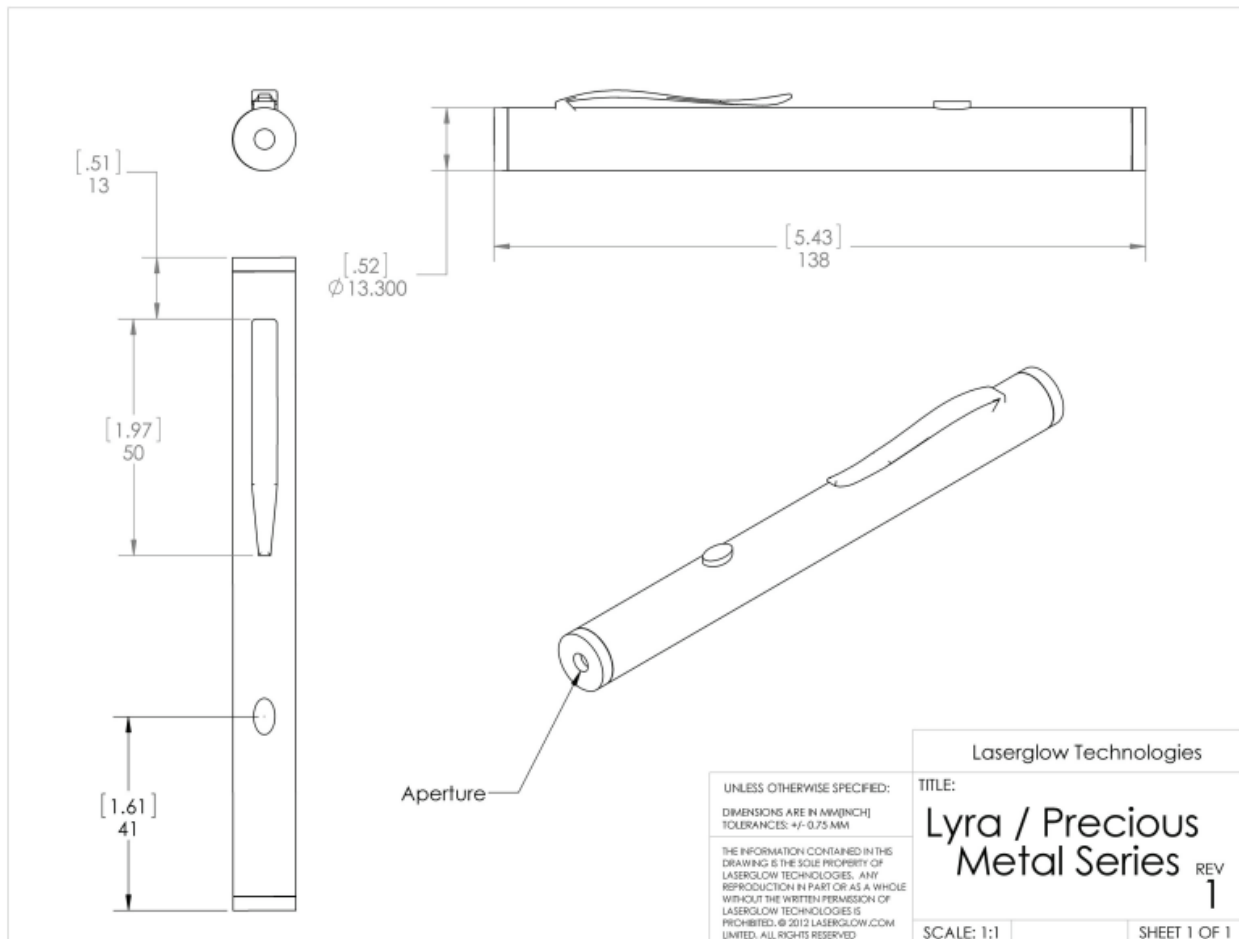
CW: All specifications are based on performance at full output power and after the specified warmup period. Output characteristics may change if the laser is run at a different power level. Q-Switched: Specifications are based on the laser pulsing at the specified design frequency. Output characteristics may change if the laser is run at a different frequency.

REGULATORY CLASSIFICATION

The model you have selected (GLY005BXX) requires the following safety label(s):



DIMENSIONAL DRAWING - LASER FORM FACTOR: GLY



E&OE: Data included in this sheet may be subject to change without notice. Please confirm critical specifications with our staff prior to ordering.