

HANDHELD LASERS**GALILEO PRO**

GGE005XXX

**532nm**

Nominal Wavelength

CW

Output Type

DPSS

Laser Source Type

Galileo Pro with adjustable beam alignment. Adjustable set screws can be used to direct the beam parallel to the housing, as beams in most hand-held laser pointers are not guaranteed parallel. This makes the Galileo PRO a perfect choice where the body of the laser should serve as your alignment guide, or when the laser rotates on a shaft.

All of Laserglow's green laser pointers are IR-filtered for safety and employ APC technology to maintain constant output power. APC (Automatic Power Control) is a system that uses an optical feedback loop to ensure stable laser output.

KEY FEATURES

Output Power: 3 mW - 5 mW (model dependent)

Casing: Hard Anodized black machined aluminum

Wavelength: 532 nm (green)

Key Feature: 100% continuous operation

Key Feature: 4 Adjustable set screws to allow beam steerage

Package Includes: Portable laser, battery, Allen key, carrying case, instructions/warranty.

Safety Info: Complies with Class IIIa regulations.

Duty Cycle: 100%

SPECIFICATIONS

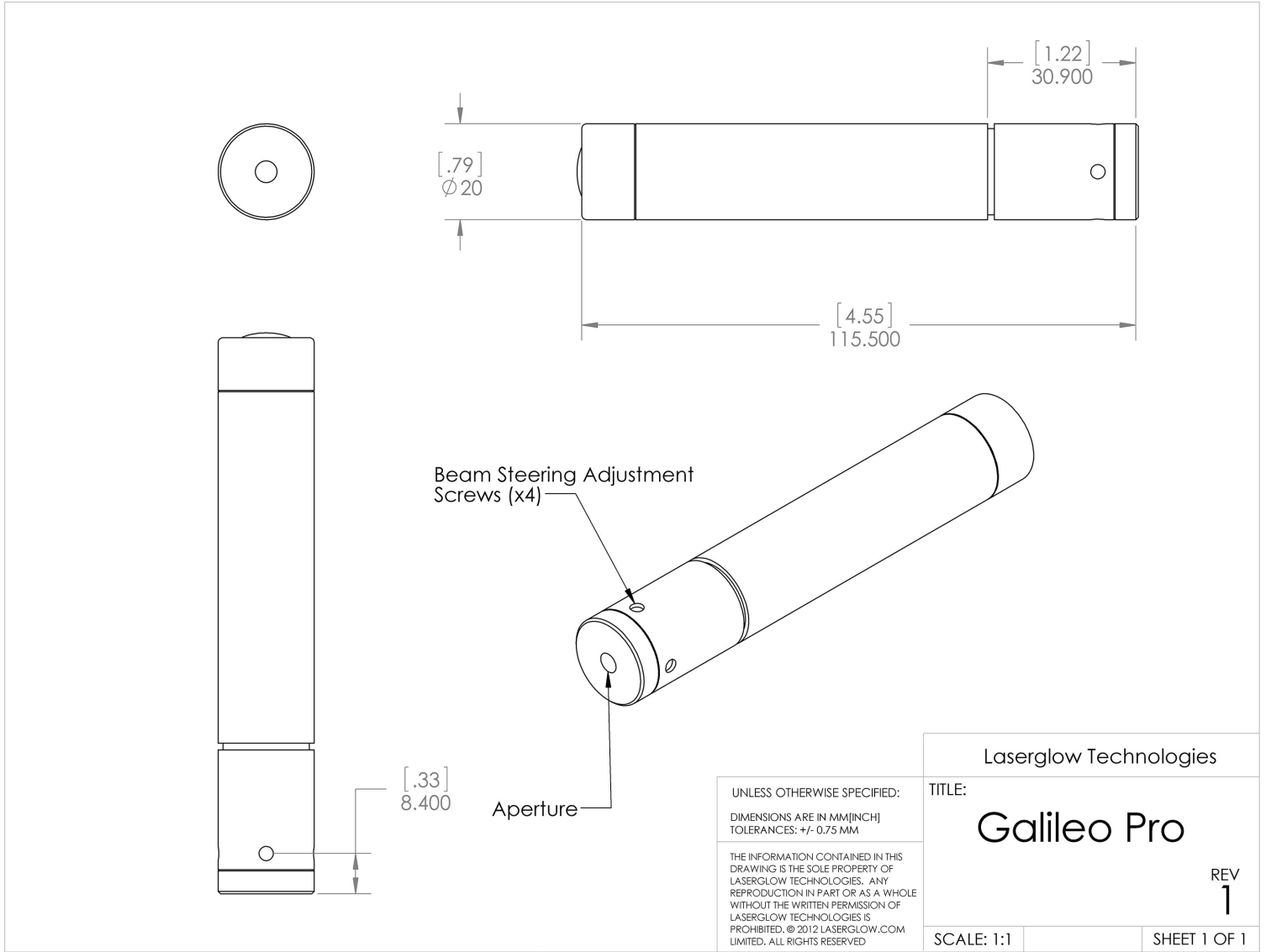
Laser Form Factor	GGE
Output Power (mW)	<5
FDA Safety Class	IIIa
Central Wavelength (nm)	531.65
Divergence (mrad, full angle)	<1.2
Beam Dimensions (mm, 1/e ²)	1.5
Transverse Mode	TEM00
Longitudinal Modes	Multiple
Operating Temperature Range (°C)	15 to 35
Storage Temperature Range (°C)	-10 to 50
Total Power Consumption (W)	2
Max. Power Input Duty Cycle	100%
Cooling Method	Passive Air
Standard Warranty (months)	6
MTTF (operational hours)	5000
Weight of Product or Laser Head (kg)	0.08
Dimensions of Product or Laser Head (mm)	118 (l) x 20 (d)
Power Supply	1 x CR123A Battery

CW: All specifications are based on performance at full output power and after the specified warmup period. Output characteristics may change if the laser is run at a different power level.
 Q-Switched: Specifications are based on the laser pulsing at the specified design frequency. Output characteristics may change if the laser is run at a different frequency.

REGULATORY CLASSIFICATION

The model you have selected (GGE005XXX) requires the following safety label(s):



DIMENSIONAL DRAWING - LASER FORM FACTOR: GGE

FOR MORE INFORMATION PLEASE CONTACT

LASERGLOW TECHNOLOGIES
 99 Ingram Dr. Unit B, North York, ON, Canada M6M2L7
 Tel. (416) 729-7976 Fax (716) 322-3510
 sales@laserglow.com www.laserglow.com

E&OE: Data included in this sheet may be subject to change without notice.
 Please confirm critical specifications with our staff prior to ordering.