



**ANSER**  
GAN005XXX

SPECIFICATION SHEET



<b>532nm</b> Nominal Wavelength	<b>CW</b> Output Type	<b>DPSS</b> Laser Source Type
------------------------------------	--------------------------	----------------------------------

## Overview

The Anser is Laserglow's latest addition to the green laser pointer line-up. The pointer does not include a pocket clip or any glossy finishes, the flat black finish gives the Anser a tactical, utilitarian look and feel. The Anser is our lowest-priced green laser pointer and comes in one power level, a guaranteed 3 to 5m W. All of Laserglow's green laser pointers are IR-filtered for safety and employ APC technology to maintain constant output power. APC (Automatic Power Control) is a system that uses an optical feedback loop to ensure stable laser output.

## Key Features

- Output Power: 3.0 mW - 5.0mW
- Wavelength: 532 nm (green)
- Flat black finish, no pocket clip
- Casing: Solid Brass
- Package Includes: Portable laser, batteries, carrying case, instructions/warranty.
- Safety Info: Complies with Class IIIa regulations.
- Duty Cycle: 90 sec. on/20 sec. off

## Specifications

Laser Form Factor?	GAN
Output Power (mW):	<5
FDA Safety Class:	IIIa
Central Wavelength (nm):	531.65
Divergence (mrad, full angle):	<1.2
Beam Dimensions (mm, 1/e <sup>2</sup> ):	1.5
Transverse Mode:	TEM00
Longitudinal Modes:	Multiple
Operating Temperature Range (°C):	15 to 35
Storage Temperature Range (°C):	-10 to 50
Total Power Consumption (W):	2
Max. Power Input Duty Cycle:	90 sec. on/20 sec. off
Cooling Method:	Passive Air
Standard Warranty (months):	6
MTTF (operational hours):	5000
Weight of Product or Laser Head (kg):	0.04
Dimensions of Product or Laser Head (mm):	136 (l) x 13 (d)
Power Supply:	2 x AAA Batteries

### Laserglow Technologies

United States: 6590 Sims Dr, Sterling Heights, MI 48313 | (313) 889-6777

Canada: 99 Ingram Dr Unit B, North York, ON M6M 2L7 | (416) 729-7976

CW: All specifications are based on performance at full output power and after the specified warmup period. Output characteristics may change if the laser is run at a different power level. Q-Switched: Specifications are based on the laser pulsing at the specified design frequency. Output characteristics may change if the laser is run at a different frequency.

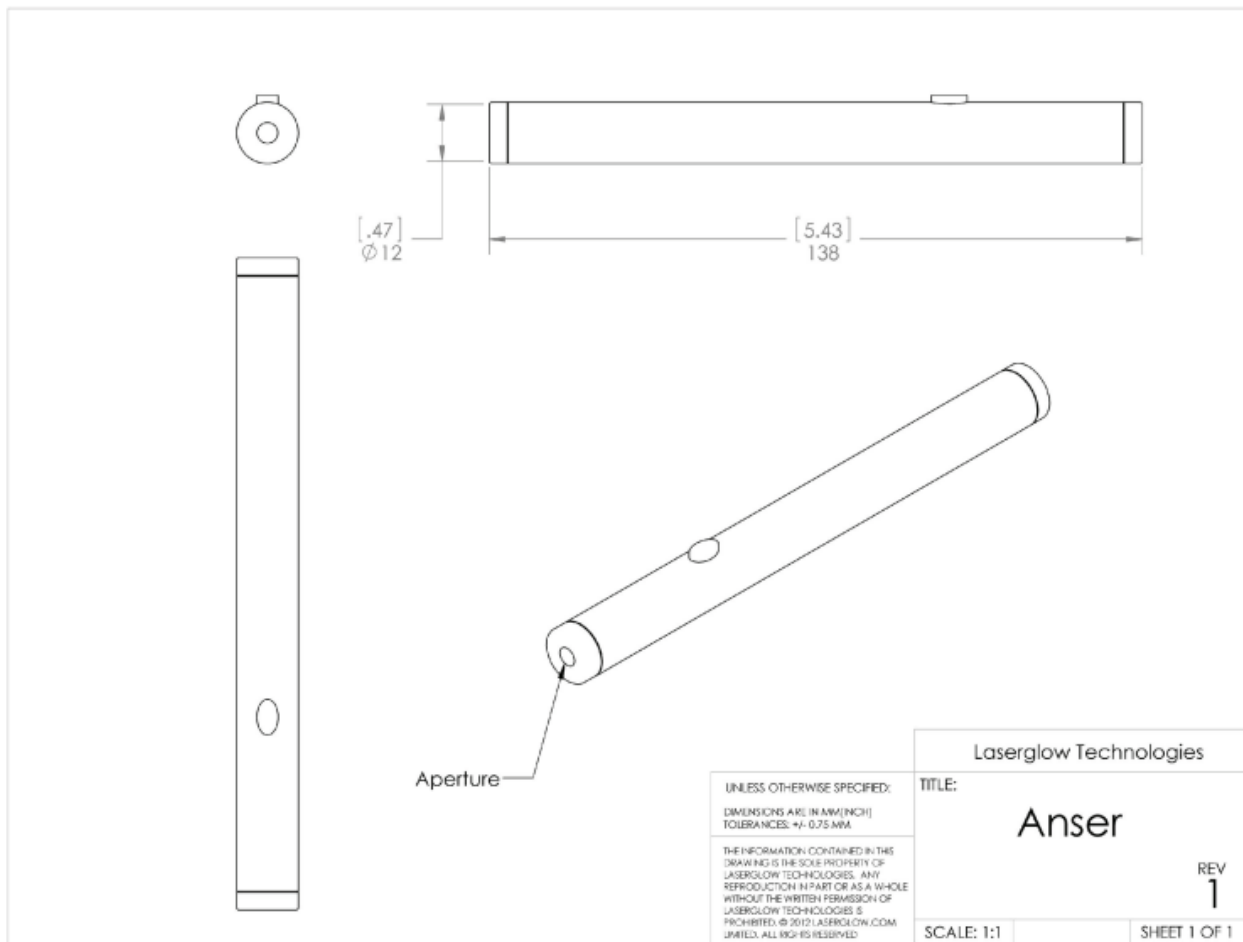
## REGULATORY CLASSIFICATION

The model you have selected (GAN005XXX) requires the following safety label(s):



# DIMENSIONAL DRAWING - LASER FORM FACTOR: GAN

Projector and Power Supply Dimensions



**E&OE: Data included in this sheet may be subject to change without notice. Please confirm critical specifications with our staff prior to ordering.**