



Brightline™ Premium Line Projecting Laser

Overview:

The Brightline Premium Series of Lasers are ideal for any application where highly visible projections, such as lines, dots, crosses, complex patterns, need to be projected onto a surface. These diode lasers are designed to withstand day to day use in harsh industrial environment. The waterproof aluminum and brass housing protect the laser diode, electronic circuitry and precision optics. These lasers incorporate focus-adjustable optics, greatly increasing the precision for tasks requiring the highest level of accuracy or greater working distance.

Key Features:

- Output Power: Up to 60 mW
- Projection Type: Line, Dot, Cross, Pattern
- Casing: Machined Aluminum anodized Red
- Water Resistant: IP67
- Operating Life: 6,000 hours of continuous use

Regulatory Classification:

This model requires the following safety label(s):



LASERGLOW.COM LIMITED, 873 St. Clair Ave W, Toronto, ON, Canada M6C 1C4

Accessories:

The most popular accessories for this model are shown below. For additional details regarding these or other accessories please see our website or contact us directly.

Part No.	Description	
 ADB002XXX	ADB-deluxe Brightline Deluxe Mounting Bracket V2. Full Details: www.laserglow.com/ADB	Included with Laser
 ABF00AXXX	ABF-N.American Brightline 3V Standard Power Supply (80-260 VAC, N. American plug) Full Details: www.laserglow.com/ADB	Included with Laser

SKU GUIDE

B	L	H	005	247
----------	----------	----------	------------	------------

SERIES	PROJ. TYPE	COLOR	POWER	PROJ. IMAGE
B: BrightLine	D: Dot L: Lines	C: Cross O: Pattern	H: Green Q: Red	005: 05mw 040: 040mw 020: 20mw 060: 060mw

Projection Types:

Proj. Type:												
Available Colors:	Red / Green	Red / Green	Red / Green	Red / Green	Red / Green	Red / Green	Red / Green	Red / Green	Red / Green	Red / Green	Red / Green	Red / Green
Power (mw):	5	5, 20, 40, 60	5	5, 20, 40	5, 20, 40	5, 20	5, 20, 40	5, 20, 40	5, 20	5, 20	5, 20	5, 20, 40
Image Type:	XXX	9XX	266	283	287	263	247	340	219	261	231	288
IEC Safety Class:	3R	3R / 2 (5mw)	3R	3R	3R / 2 (5mw)	3R	247	340	3R / 2 (5mw)	261	231	3R / 2 (5mw)
Proj. Fan Angle:	90°/90°	90°/90°	5°/4°	20°/17°	44°/36°	90°/90°	25°/20°	70°/70°	90°/90°	90°/90°	6°/5°	90°/90°
Optic Type:	x	Cylindrical	Diffractive Optical Element									

Common Specifications:

Laser Form Factor:	B9
Laser Source Type:	Diode
Weight (g)	260
Dimensions (mm)	68 (l) x 20 (d)
MTTF (Operational Hrs.)	6000

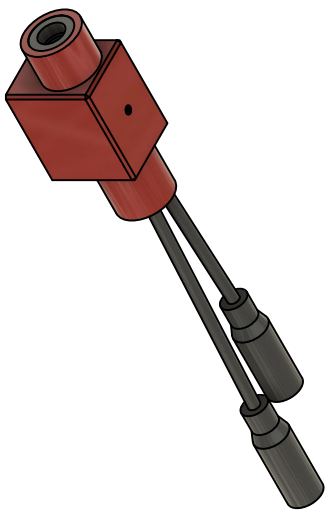
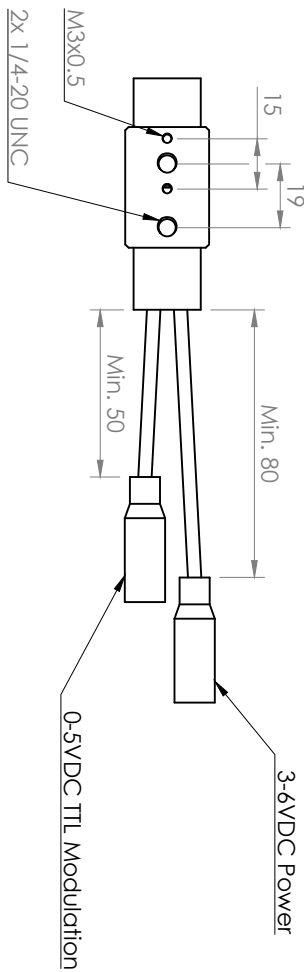
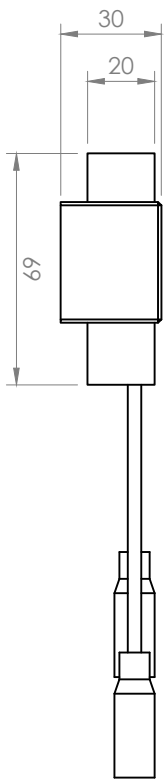
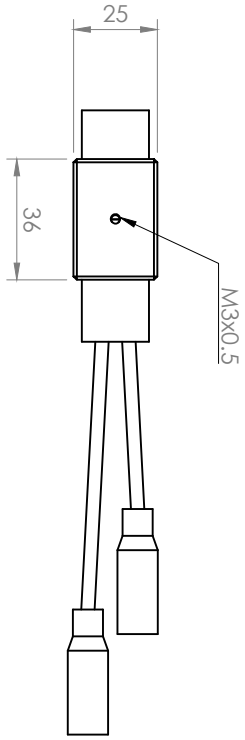
Central Wavelength:	520nm (Green) / 635nm (Red)
Beam Dimensions (1/e²):	7mm
Minimum Beam Diameter:	0.25 mm at 0.3 m
Divergence (full angle):	<0.3 mrad

Operating Temp. Range (°C)	-20 to 50
Cooling Method	Passive Air
Power Supply:	3-6 VDC
Total Power Consumption (W)	1
Max. Power Input Duty Cycle	100%
IP Rating	67

Output Type:	CW
Output Power Stability:	<10 (%RMS/4h)

Transverse Mode:	Near TEM00
Longitudinal Modes:	Multiple
Max. TTL Modulation Freq. (HZ)	500
Modulation Input Signal	0-5 VDC



Standard Warranty (Months)	6
-----------------------------------	---



UNITS: MM

SHEET SIZE: A4

THIS DOCUMENT IS PROPRIETARY AND CONFIDENTIAL INFORMATION OF LASERGLOW TECHNOLOGIES. DO NOT COPY OR REPRODUCE.

UNLESS OTHERWISE SPECIFIED:	SIGNATURE	DATE			
1. DO NOT SCALE DRAWING	DRAWN BY: ARJUN M.	06/10/2023	PART NAME: BRIGHTLINE PREMIUM	DRAWING NO.:	
2. DEBURR AND BREAK SHARP EDGES	CHECKED BY:				
3. MATERIAL AND SURFACE TREATMENT PER NOTES	APPROVED BY:				
TOLERANCE	SCALE:	MATERIAL:	SKU:	SHEET:	REV:
.x TOL: +/- 0.1	1:2	NA		1/1	
.xx TOL: +/- 0.05					
.xxx TOL: +/- 0.030					
ANGLE 0.5 DEG					
	THIRD ANGLE PROJECTION				



www.laserglow.com

For more information please contact:

LASERGLOW TECHNOLOGIES

99 Ingram Dr. Unit B, North York, ON, Canada M6M2L7

Tel. (416) 729-7976 Fax (480) 247-4864

sales@laserglow.com

E&OE: Data included in this sheet may be subject to change without notice.
Please confirm critical specifications with our staff prior to ordering.